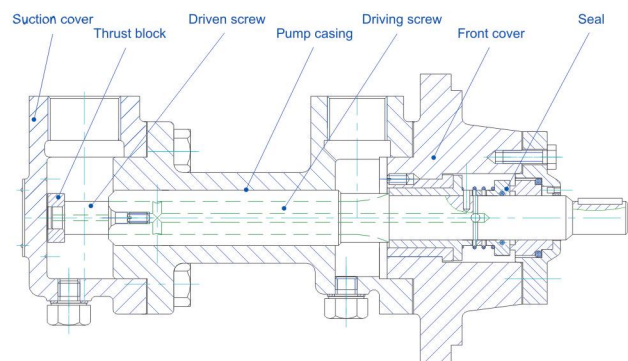
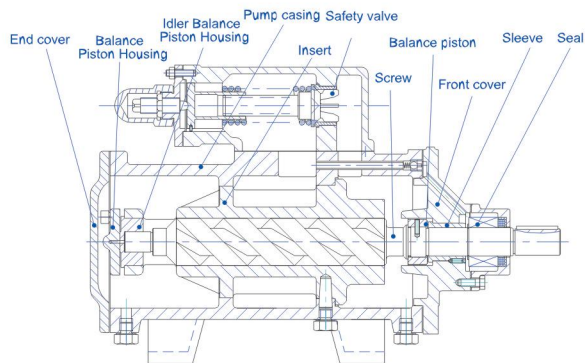


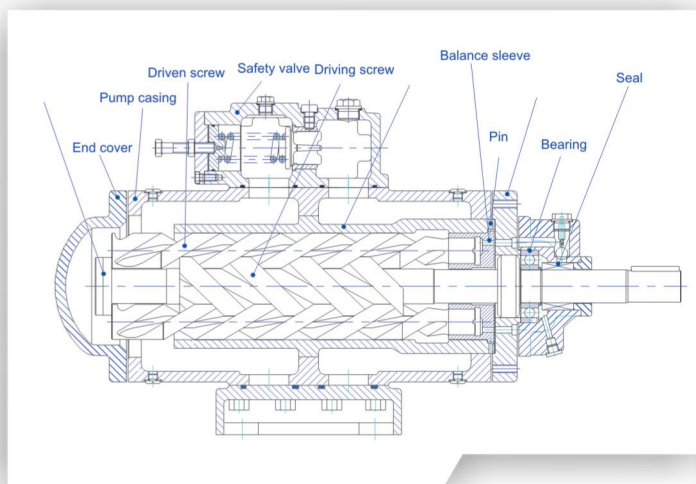
SN / S3F / SNJ / 3G

THREE SCREW PUMPS



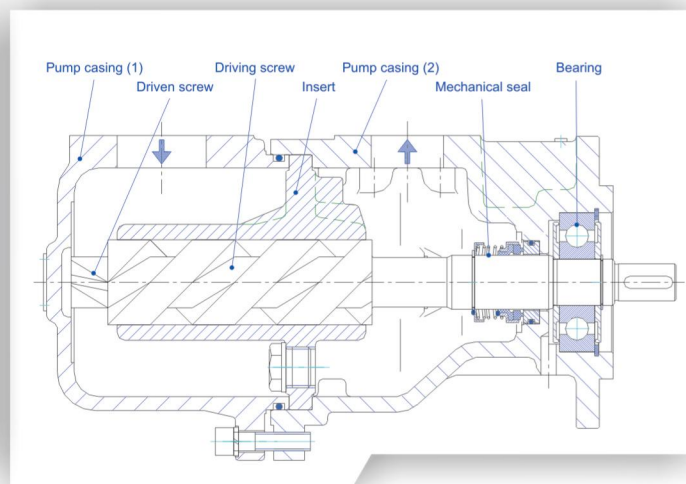
3G series, single suction, low pressure pumps

- Capacity : max. 95 m³/h max.1583 l/min
- Diff.pressure : max. 25 bar ● Rev. : max. 2900 r / min
- Viscosity : 10 ~ 760 cSt ● Temperature : 80 °C



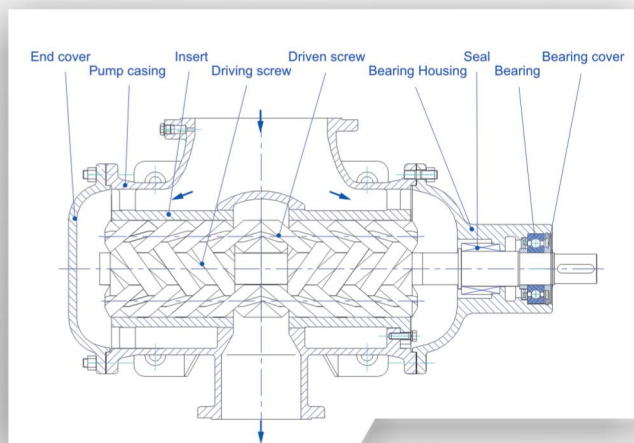
SN series, single suction, middle pressure pumps

- Capacity : max. 456 m³/h max. 7600 l / min
- Diff.pressure : 20 bar, max. 40 bar ● Rev. : max. 2900 r / min
- Viscosity : 10 ~ 760 cSt ● Temperature : 80 °C



S3F series, single suction, low pressure pump

- Capacity : max. 34 m³/h max. 560 l / min
- Diff.pressure : max. 16 bar ● Rev. : max. 2900 r / min
- Viscosity : 10 ~ 760 cSt ● Temperature : 80 °C



3GS series, double suction, low pressure pumps

- Capacity : max. 575 m³/h max. 9583 l / min
- Diff.pressure : max. 16 bar ● Rev. : max. 1450 r / min
- Viscosity : 10 ~ 760 cSt ● Temperature : 80 °C